

Fiers et Forts Skatepark

Location: Morocco

Implementation Report: 19th of May, 2022

Prepared by: Clément Taquet

Words by: Troy Bjorkman

CONCRETE JUNGLE
foundation



Fiers et Forts Skatepark

In the spring of 2022, Concrete Jungle Foundation realized its sixth international project: the construction of a skatepark and implementation of youth programmes at an orphanage located in Tameslouht, Morocco.

The 740 sqm skatepark at the Centre Fiers et Forts orphanage was constructed over February-April by a team of 25 international and local volunteers.

Throughout the 6-week build, CJF ran their Planting Seeds Apprenticeship programme for three local skateboarders, allowing them to develop their skills in skatepark construction while earning a fair wage.

Throughout construction, daily Edu-Skate classes were also held for the 38 children living at the centre. And since May 8th, 2022, Concrete Jungle Foundation now provides those daily classes at the new Fiers et Forts Skatepark.

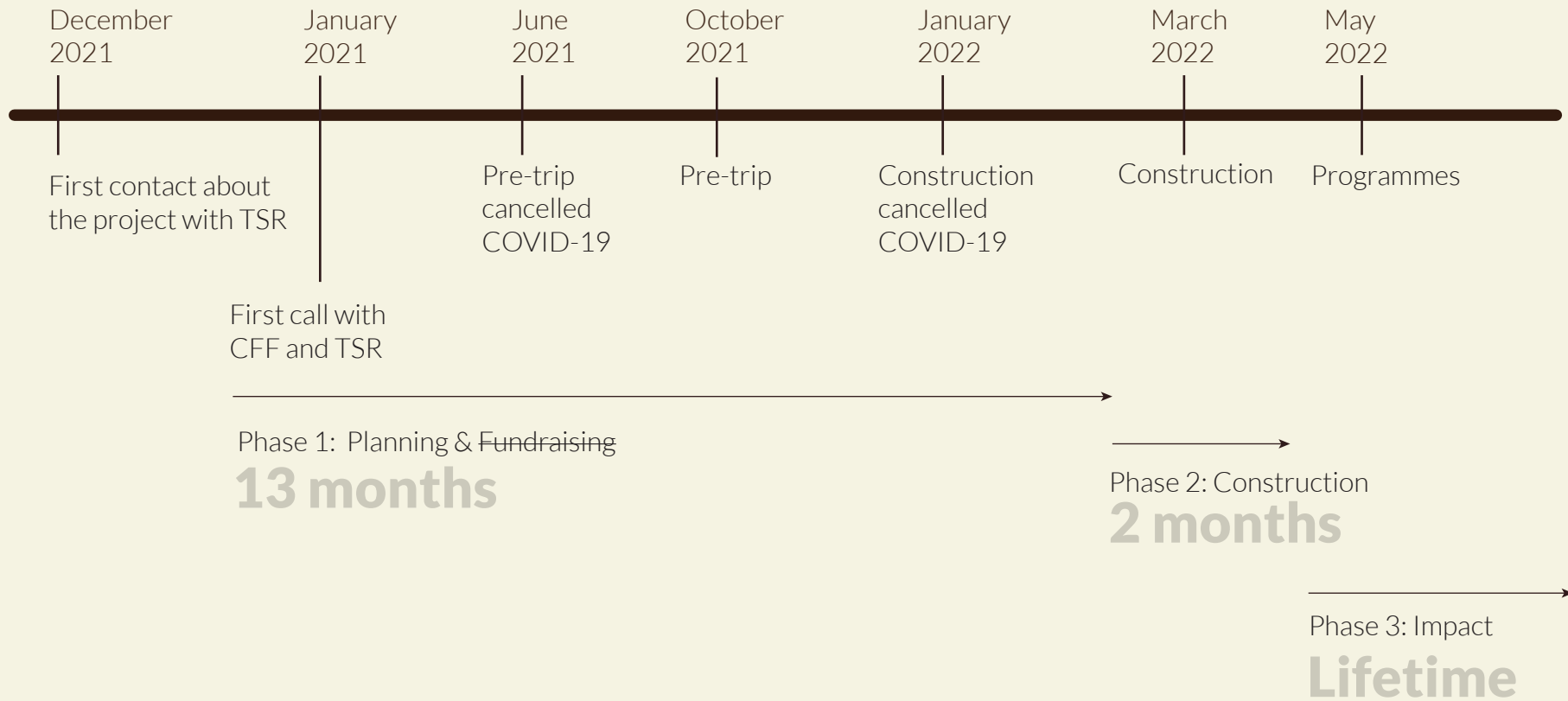


THE SKATEROOM



Timeline

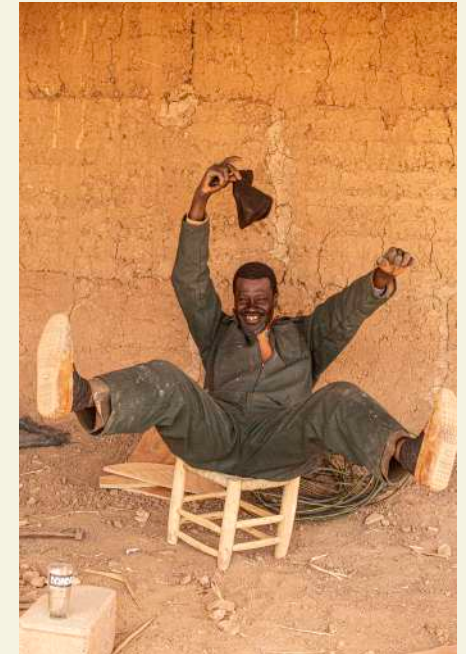
16 months



The People

- 18 international volunteers
- 1 apprentice from Peru, part of the 'Planting Seeds Apprenticeship: Continuity of learning'
- 3 apprentices from Morocco, part of the 'Planting Seeds Apprenticeship: Construction'
- 1 photographer from Morocco
- 1 videographer from the UK
- 38 children from CFF (aged 6-22 years old)
- 2 local helpers
- 1 local fixer
- 7 educators from CFF
- 10 staffs from CFF
- 1 impact manager TSR

82 people



Design

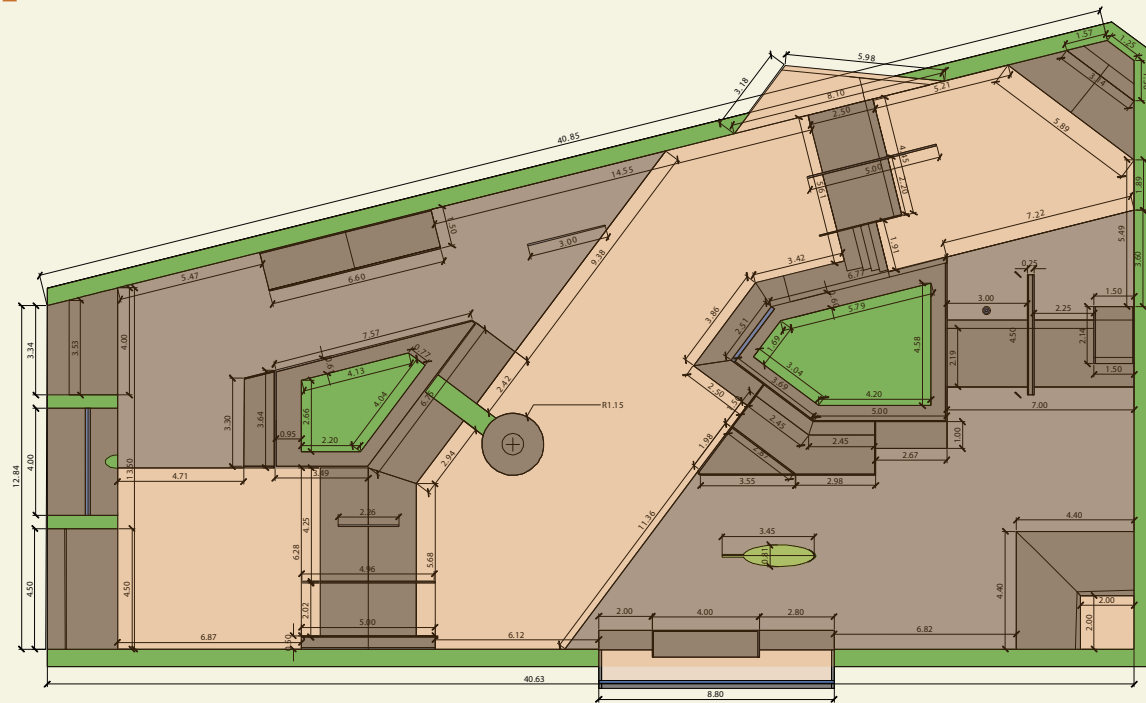
The Centre Fiers et Forts Skatepark was designed in a collaborative partnership between Concrete Jungle Foundation and Bog Skateramps, our friends from Colombia.

As an ode to its cultural setting, the final realization incorporates traditional Moroccan elements such as an arched doorway and ornamented rails, and brandishes regional natural motifs including an olive leaf launch ramp and two large, buoyant palm trees.

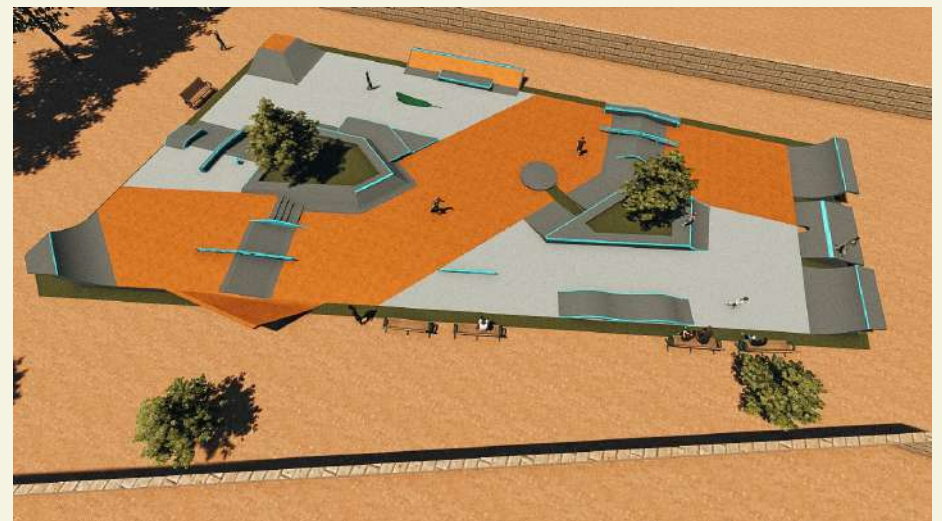
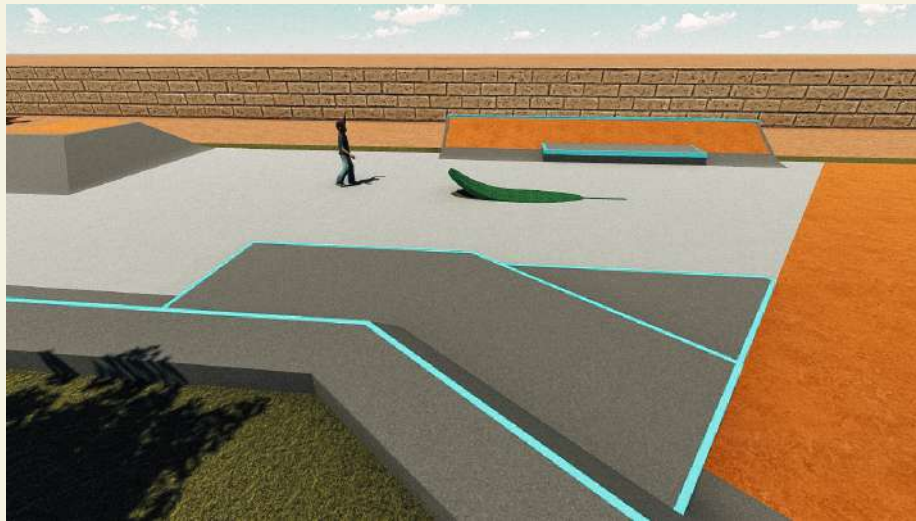
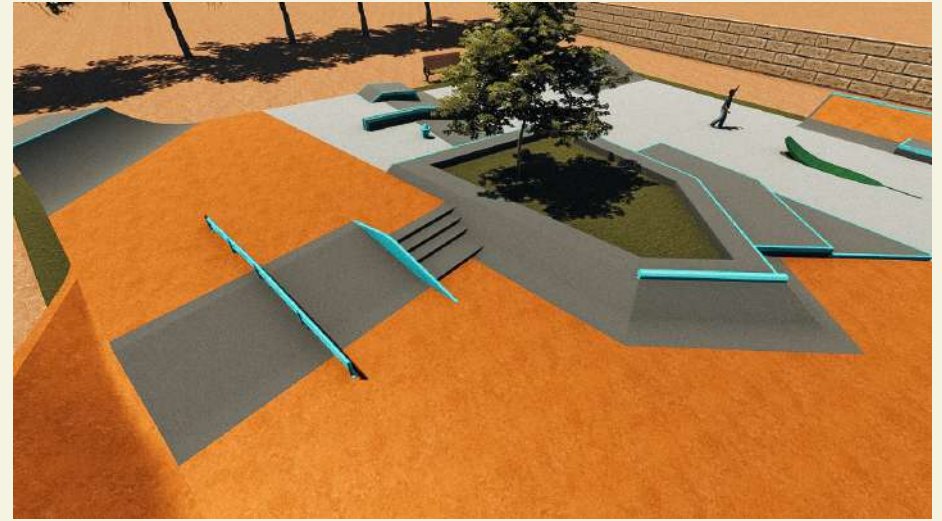
A triad of natural, black and red ochre concrete were also used, allowing the park to seamlessly blend with the color palette of its surroundings.

Architectural plan

- 740 sqm
- 7 free fills
- 3 concrete colors



3D Renders



Construction



Fiers et Forts Skatepark



Fiers et Forts Skatepark



Highlights

1 / The 'Planting Seeds Apprenticeship' programme

What is the Planting Seeds Apprenticeship (PSA) programme?

The PSA programme is a professional development programme that provides paid apprenticeships in skatepark construction for local adolescents aged 16 and above. Over 4-8 weeks, the local apprentices work and live full-time with CJF's professional builders and develop skills in areas such as woodwork, steel and concrete shaping, as well as planning, budgeting and design.

The PSA programme aims to provide hard, employable skills that are relevant in any construction-related field, and so offer economic opportunities to its beneficiaries. But perhaps more importantly, it exists to transfer the skills necessary for the local skate scene to take skatepark construction into their own hands, and to do so through a unique experience, good times, and new friends for life.

Practically, the PSA programme covers the complete process of building obstacles at skateparks. While they are provided guidance and support, beneficiaries are responsible for and complete almost all aspects of their obstacles themselves, thus covering the full range of skills required in skatepark construction.

‘Honestly I was nervous. Deep inside I had some anxiety about whether I could do what’s required? Or what if I just messed up something or couldn’t get it done? But I was also so confident in my choice to be involved in the programme! Knowing that I have professional builders that I’m gonna work along-side, plus receiving guidance! So I just pulled through it because that was stronger than my fears of failure or stress. ’

- Aya, apprentice from Morocco.

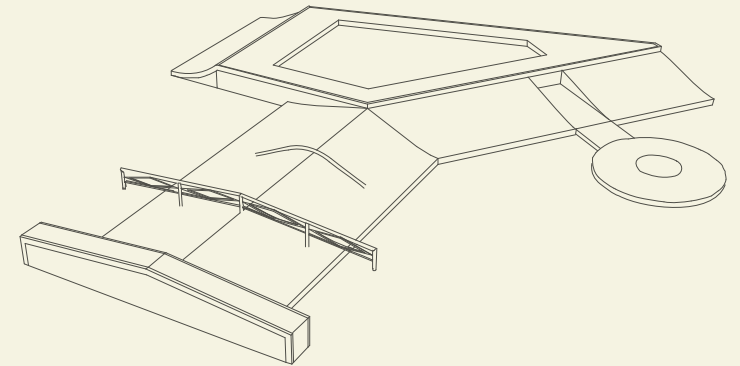
Planting Seeds Apprenticeship (PSA): Construction

Three local apprentices took part in the PSA programme in Morocco:

- Mohammed Essafiry, a 25-year old skater originally from Casablanca
- Aya, a 19-year old skater from Rabat
- Mohammed Hanota, a 28-year old skater from Tangier

The 4-week PSA programme in Morocco was structured across the following themes:

- 1 week of foundations and bricklaying (workshops & practical application)
- 1 week of woodwork (workshops & practical application)
- 1 week of welding (workshops & practical application)
- 1 week of shadowing and doing concrete (workshops & practical application)



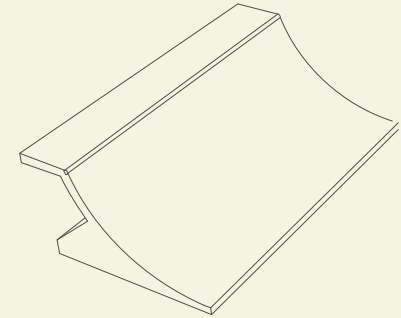
‘ CJF donated a set of tools so that we can keep building here after they leave, so that’s what I’m going to do. ’

- Mohammed Essafiry, apprentice in Morocco

Planting Seeds Apprenticeship (PSA): Continuity of Learning

CJF recognises the importance of long-term professional development initiatives, and so have a commitment to continuity of learning within the PSA programme. For Morocco, we sponsored Jhikson, the most successful local apprentice from our previous project in Peru, the chance to join us to further develop his skills in the field.

As the first time outside his native Peru, it was such a pleasure to see him thriving as a builder, worker and community member. We are pleased to say that by now he is working completely independently.



‘I wanted to learn how to build a free-fill.’

- Jhikson Akamine, apprentice from Peru in Morocco

2 / Edu-Skate sessions

Throughout the 6 weeks of construction, Edu-Skate classes were held daily (except Sunday) between 11am - 12 pm for the children living at the orphanage.

As the skatepark was still not completed, these sessions took place on a nearby concrete court, using donated skateboarding gear brought along for the project.

Throughout the period, a total of 24 sessions were implemented by our programme manager, who is currently stationed in Morocco for an initial 12 months.

These daily sessions have now begun to take place at the new skatepark, where we plan to provide programming over the long-term.



3 / Donate for Skate book: Conchita

One afternoon was also dedicated to group reading of 'Conchita' - a children's book written by Jenna Hirt from Donate for Skate, a charity that provides used boards to skate projects around the world.

The story tells the tale of a strong, adventurous young girl who lives in a jungle. One day she overhears that the neighboring village is in need, and has a great idea how she can help them. She decides to use her free time and energy to collect and deliver what may only be a little, but to them, it means a lot. Word gets out about Conchitas efforts which inspires others to continue in her footsteps.

Aya, one of the local apprentices translated the story to Arabic. And the kids loved it!



4 / Palm Trees

The inclusion of palm trees in the Fier et Forts Skatepark was a lot of work but also an important and emotional aspect for CJF.

Back in 2017, during the completion of CJF's very first skatepark in Peru, it was our dream to include palm trees, to provide shade and vegetation to the desert, and to represent the growth of skateboarding and the fruits it can provide. In fact the Alto Trujillo Skatepark was originally supposed to be known as 'Las Palmeritas' for this very reason.

Unfortunately it proved impossible back then, given the soil (sand) on which the skatepark was built. Nevertheless, that background made it all the more heart-warming to finally be able to provide it here for the children of the orphanage!



5 / Opening Day (Night)

As the Fiers et Forts Skatepark was built during Ramadan, the opening ceremony was held after sunset so that everyone could partake in the dinner and festivities.

Songs and emotional speeches were held, as well as a dinner for everyone in the community. All the children were provided guided skate tours of their new skatepark. And we closed off the night with a skate demo by the international volunteers.



Future

Like Cerrito Skatepark (Peru) and Freedom Skatepark (Jamaica), the new Fiers et Forts Skatepark in Morocco is set to host CJF's youth programmes and activities for the long-term.

The first programme to be implemented is Edu-Skate - a positive youth development programme that teaches skateboarding through the life-skills its practice induces.

Through group discussions and practical implementation of themes such as perseverance, creativity, courage and respect, the innovative curriculum aims to empower and support children in their development into healthy young adults - through skateboarding.

Edu-Skate classes are currently provided Monday - Thursday, while additional community activities are hosted on Fridays and Saturdays.

Through our continued partnership with the orphanage, we hope to both expand the number of programmes at the Fier et Forts Skatepark, as well as bring in local youth to manage key roles at the skatepark.



Impact sought

Through the new facility and activities therein, Concrete Jungle Foundation will engage and support some of the most vulnerable children in Morocco through a safe, supportive environment, healthy physical activity, as well as life-skills focused youth programmes - all through the fun of skateboarding.

Beyond the PSA programme already delivered, and as the skatepark develops, we also look forward to providing further long-term economic opportunities to local youth in areas such as programmes management, multimedia production, volunteer coordination and business development - just as we have done at our other project locations in Peru and Jamaica.

In 2015, the 2030 Agenda for Sustainable Development was adopted by all United Nations Member States. It delivers a common plan for peace and well-being for people and the planet, now and into the future.

At its heart are the 17 Sustainable Development Goals. They recognize the urgent call to end poverty and other deprivations with strategies in place to improve well-being, health and education, reduce inequality and invigorate economic growth.

CJF's impact targets 9 of the 17 SDG's through 5 pillars:

- Good Health & Well-being
- Community Development & Social Cohesion
- Decent work and Economic Growth
- Quality Education
- Gender Equality



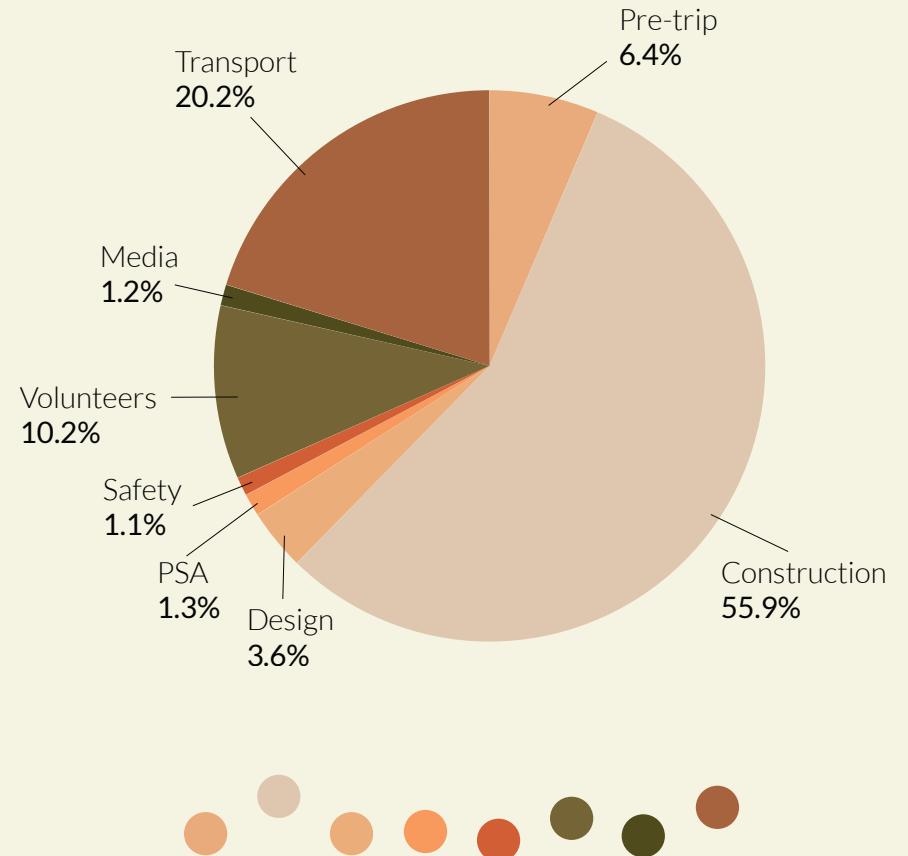
Finance

Pre-trip	\$3,139.04
Construction	\$27,334.19
Metal/Steel	\$2,682.60
Wood	\$6,976.94
Concrete Trucks	\$10,785.16
Small items	\$4,144.40
Electricity	\$375.00
Rentals	\$1,343.20
Landscaping	\$675.00
Tools	\$351.89
Design	
3D & Architectural plan	\$1,767.41
Planting Seeds Apprenticeship	
Stippend, manual, insurances	\$648.61
Safety	
PCR, insurances	\$536.62
Volunteers	\$4,980.89
House	\$1,700.00
Food & Drink	\$2,110.50
House items	\$345.39
Cooking	\$825.00
Media	
Photography & films	\$600.00
Transportation	\$9,895.15
Plane tickets	\$7,734.40
Overweight luggage	\$641.95
Petrol	\$1,046.60
Material Transport	\$472.20

Total: \$48,901.91

♥ **Donated:**

- \$3,950.00 Steel
- \$11,238.48 Concrete
- \$300 Landscaping 1x Palm tree





The “Centre Fiers et forts” (CFF) works for the protection of children in Morocco by welcoming children in a situation of trauma or social distress in a safe and benevolent environment.

CFF's mission is to love and support these children so that they can build themselves while respecting their dignity and integrity, so that they become autonomous, fulfilled young adults and actors in their lives, able to integrate economically and socially.

In 2014, the new “Centre Fiers & Forts” was inaugurated, a living space built specifically to welcome children in a safe, friendly environment, to stimulate their resilience and reconstruction and support their preparation for adult life.

To date, the Centre's capacity is 105 children, including **38 residents**. The children are between 6 and 24 years old.





Concrete Jungle Foundation is an international nonprofit organisation that builds skateparks and runs recreational, educational and professional development programmes for communities around the world. Since its inception in 2016 they have built **6 skateparks** and impacted **850+ children** through their youth programmes.

Legal Status:

- UK Charitable Incorporated Organization (CIO)
 - #1177490
- Dutch PBO
 - #78723965



THE SKATEROOM

THE SKATEROOM is a certified B Corp that works closely with the world's most influential artists to fund international skate and education nonprofit organisations and projects. Since 2014 they have committed more than \$1,000,000 in funding towards 30 social skate projects globally. The funding for this project is thanks to artistic collaborations with a range of world-renowned artists.

LAMYLAND

LAMYLAND is a collective of artists under the patronage of the legendary Michèle LAMY, internationally renowned creative hyphenate, and Co founding Partner & Executive Manager of Art/Furniture company Owenscorp. The collective comprises the creative genius of Giovanni Leonardo BASSAN, EPHEMERISM, Marc LESCHELIER, Scarlett ROUGE, Connor TINGLEY and Brandon WEN.

20% of the revenue of this collaboration were allocated to the construction and programming at the Fiers et Forts Skatepark



Thank you

Concrete Jungle Foundation would also like to thank all its Key Partners and CJFamily Members for their continuous support.

This wouldn't be happening without you.



THE SKATEROOM



MOOMIN

